

# Calle, Perennial *Elegance.*

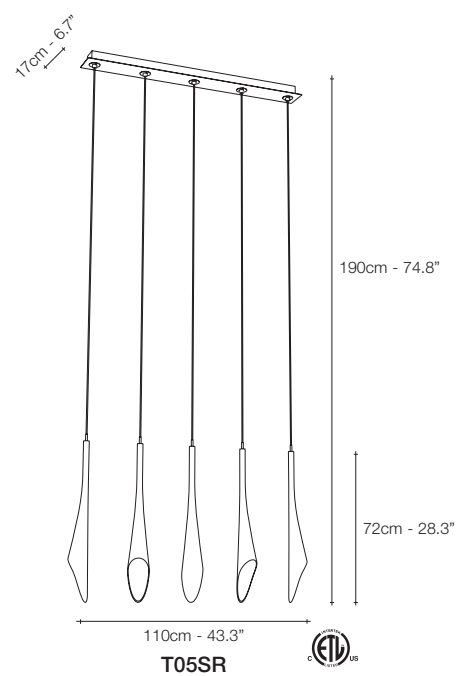
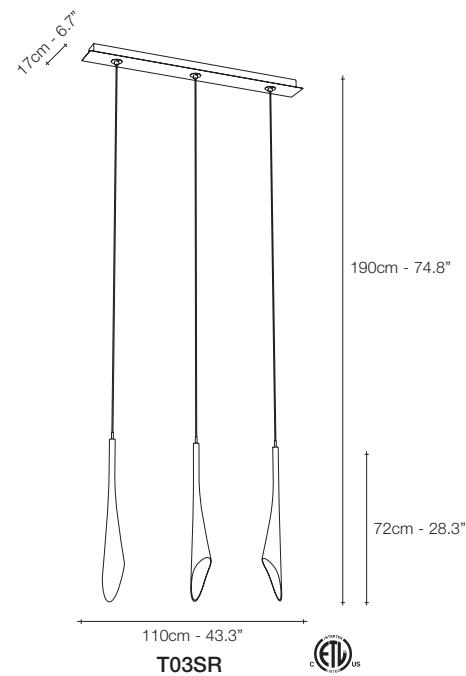
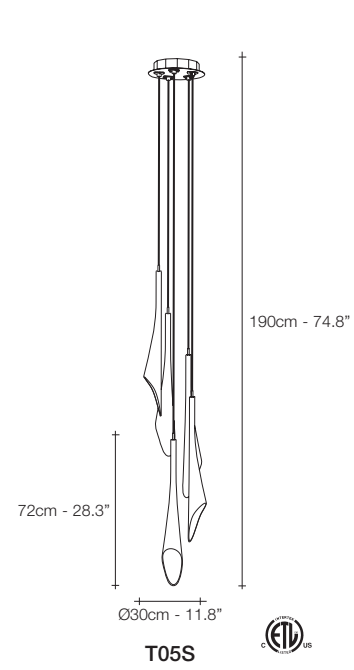
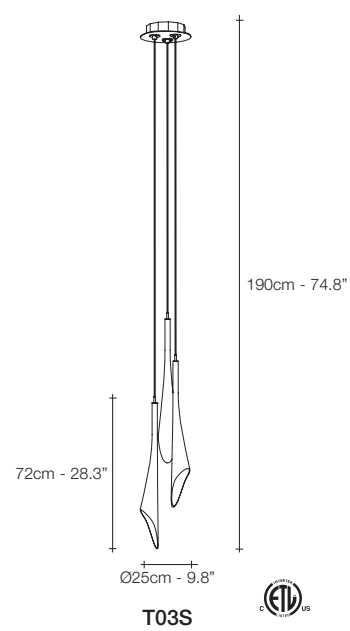
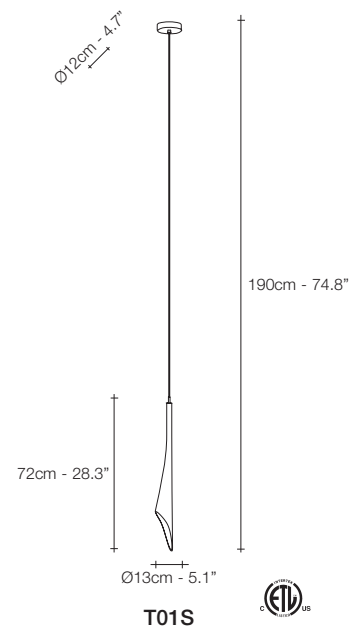
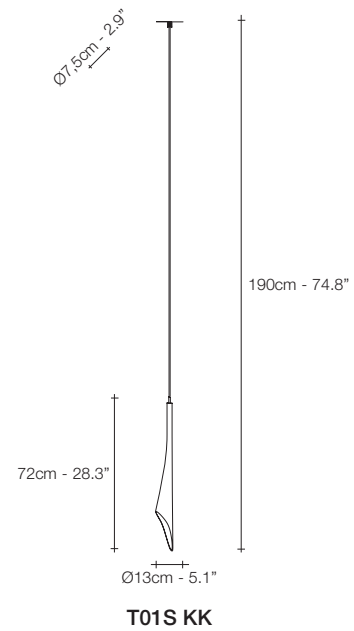
At Terzani, we spend countless days searching the globe for talented new designers, but sometimes they find us. Such is the case with the young designers Luca Martorano and Mattia Albicini who approached us with the design for Calle, a fantastic a new light we instantly fell in love with. It showcases our skill at crafting crystal to take the material to an exciting, modern place. Luca and Mattia worked with our craftsmen to create a slender inverted flute of crystal that, like the calla lily it mimics, can be grouped into stunning bouquets of light. Design Draw.











WHITE  
CRYSTAL

	LIGHT SOURCE OPTIONS	T01S KK	T01S	T01S	T03S	T05S	T03SR	T05SR
230V	G4 LED	2W	2W	3W	3x2W	5x2W	3x2W	5x2W
	G4 HALOGEN	20W	20W	20W	3x20W	5x20W	3x20W	5x20W
	Dimmable	IGBT 0/1-10V 10-100kΩ PUSH/DALI	IGBT TRIAC DALI	DALI	IGBT DALI	IGBT 1-10V PWM DALI	IGBT DALI	IGBT 1-10V PWM DALI
120V	G4 LED	2W	2W	-	3x2W	5x2W	3x2W	5x2W
	G4 XENON	20W	20W	-	3x20W	5x20W	3x20W	5x20W
	Dimmable	ELV	ELV	-	ELV	ELV	ELV	ELV

Calle can be manufactured to work with LED light source on request, different dimming options on request

